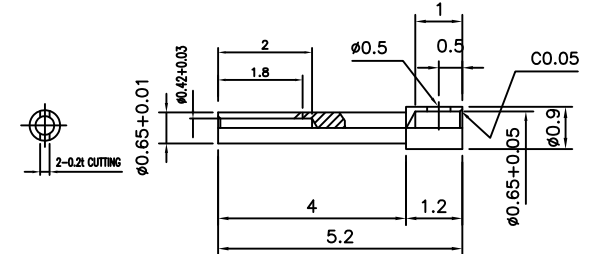
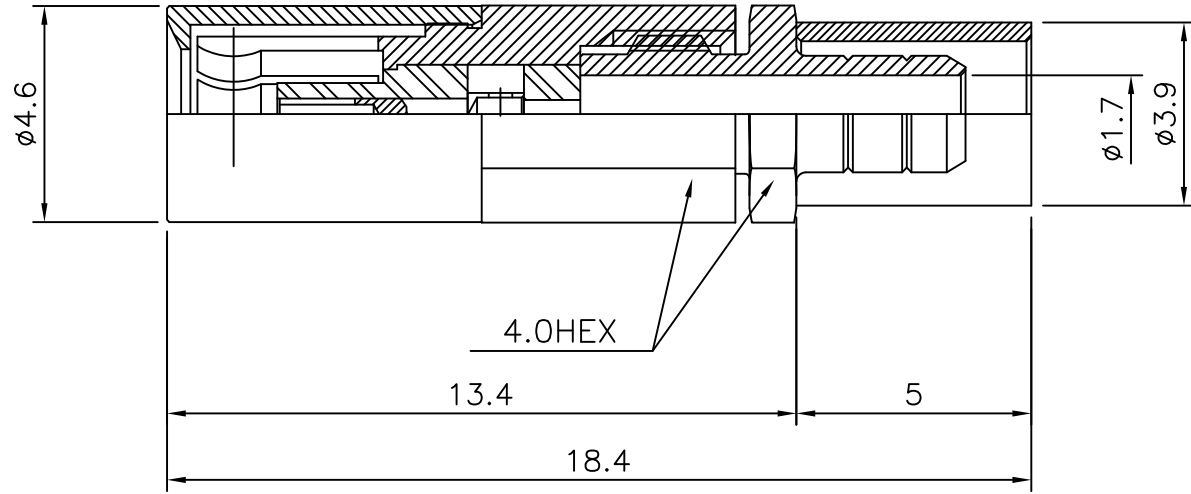


4	5	6	
No.	Revision	Date	Name
△	PN Change from 1MB-1111-003	29/NOV/2013	S.J.PARK
△			

RoHS Compliant



Center contact

Connector parts	Materials	Finish
Cap, Clamp nut	BRASS	Gold Plated
Outer contact	Beryllium copper	Gold Plated
Center contact	Beryllium copper	Gold Plated
Insulator	Teflon	
Ferrule	BRASS	Gold Plated

SSMB—Straight Female
Cable PLUG—RG316
(Captive contact)

NO.	DESCRIPTION	Q'TY	MATERIAL	FINISH	REMARKS.
PARTS No.	SSMB-111-003	NAME	SSMB-SP316		APPROVED
MATERIAL	FINISH	TOLERANCES	OTHERWISE SPEC. ±0.05 ANGLES ±1°		CHECKED
		SCALE	UNIT		DESIGNED
			mm		S.J.LEE
		DWG NO.	SSMB-111-003		DATE.
					02/MAR/2008

CUSTOMER

