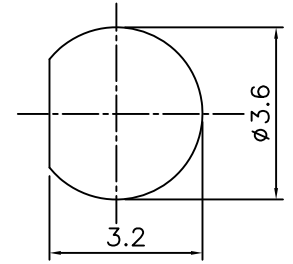
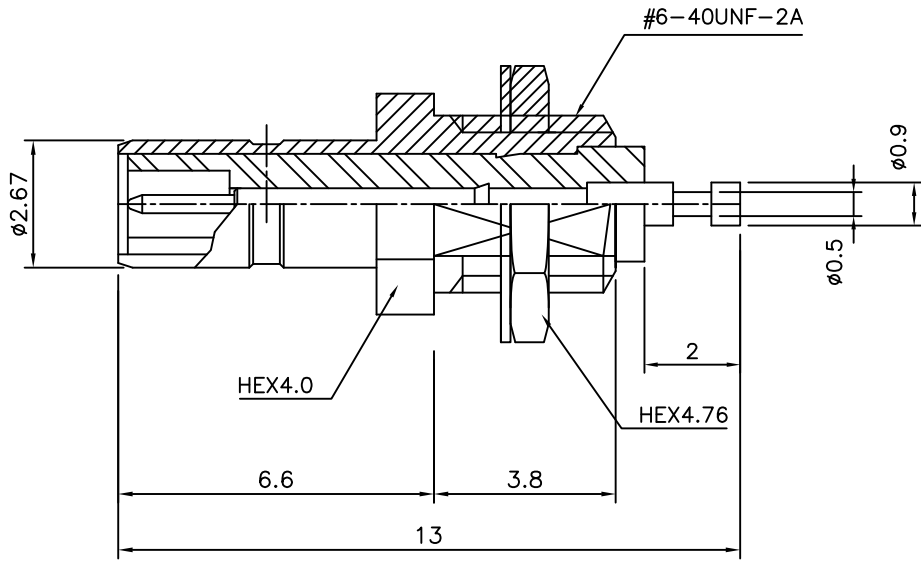


| 4 | 5 | 6 | |
|-----|----------------------------|------------|---------|
| No. | Revision | Date | Name |
| △ | PN Change from 1MB-602-F00 | 19/12/2013 | B.G.YUN |
| △ | | | |



PANEL MOUNT

SSMB front mount bulkhead jack with turret contact 50ohm

| Connector parts | Materials | Finish |
|-----------------|-----------|-------------|
| Body,Nut,Washer | Brass | Gold Plated |
| Center contact | Brass | Gold Plated |
| Insulator | PTFE | - |

CUSTOMER

| NO. | DESCRIPTION | Q'TY | MATERIAL | FINISH | REMARKS. |
|-----------|--------------|------------|----------------------------------|----------|-------------|
| PARTS No. | SSMB-506-001 | NAME | SSMB B/H JACK-RECEP. | | APPROVED |
| MATERIAL | FINISH | TOLERANCES | OTHERWISE SPEC. ±0.05 ANGLES ±1° | | CHECKED |
| SCALE | UNIT | mm | | DESIGNED | S.J.LEE |
| DWG NO. | SSMB-506-001 | | DATE. | | 14/JUN/2007 |

