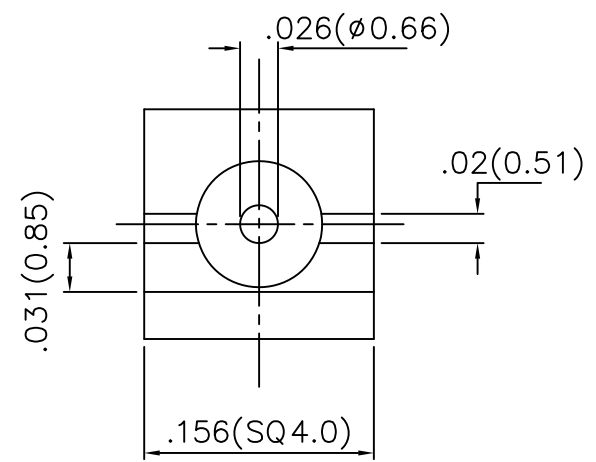
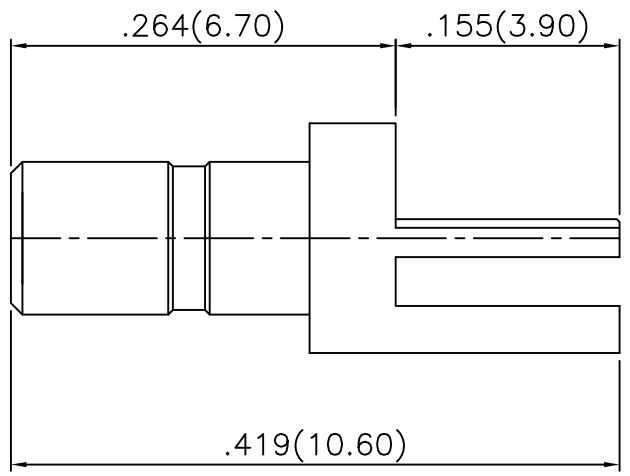


4	5	6	
No.	Revision	Date	Name
△	PN Change from 1MB-522-S080	27/SEP/2013	S.J.PARK
△			

RoHS Compliant



Connector parts	Materials	Finish
Body	Brass	Gold Plated
Center contact	Brass	Gold Plated
Insulator	PTFE	N/A

SSMB SIDE PCB JACK
EDGE MOUNT(PCB=0.8mm)

CUSTOMER

NO.	DESCRIPTION	Q'TY	MATERIAL	FINISH	REMARKS.
PARTS No.	SSMB-606-001	NAME	SSMB SIDE PCB JACK		APPROVED
MATERIAL	FINISH	TOLERANCES OTHERWISE SPEC. ±0.05		ANGLES ±1°	CHECKED
		SCALE	UNIT mm		DESIGNED S.J.LEE
		DWG NO.	SSMB-606-001		DATE. 08/MAR/2011