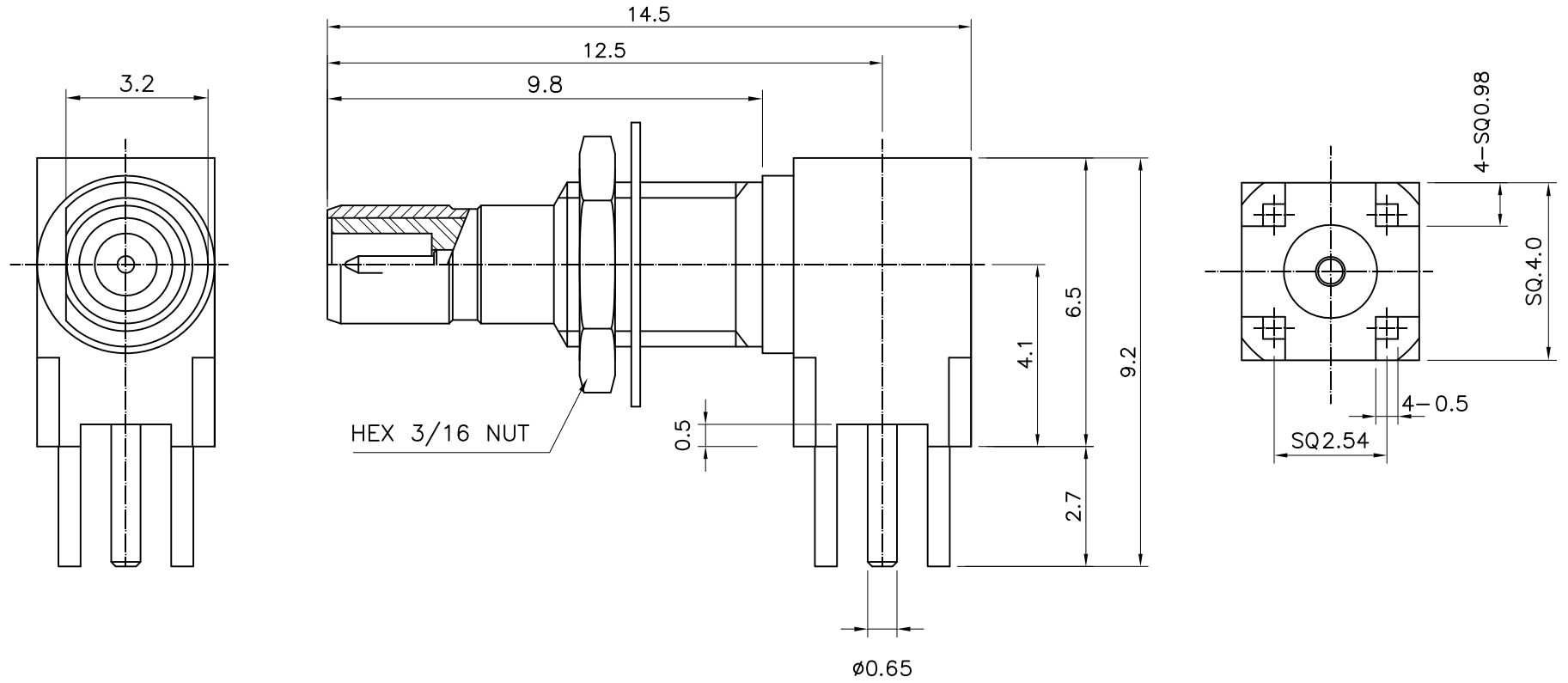


No.	Revision	Date	Name
△	PN Change from 1MB-742-S4127	25/09/2013	B.G.YUN
△			



Connector parts	Materials	Finish
Body & Nut	Brass	Gold Plated
Center contact	Brass	Gold Plated
Insulator	PTFE	N/A

CUSTOMER

NO.	DESCRIPTION	Q'TY	MATERIAL	FINISH	REMARKS.
PARTS No.	SSMB-608-001		NAME	SSMB R/A PCB JACK	APPROVED
MATERIAL	FINISH	TOLERANCES OTHERWISE SPEC. ±0.05		ANGLES ±1°	CHECKED
		SCALE	UNIT mm		DESIGNED S.J.LEE
DONGJIN TI.		DWG NO.		SSMB-608-001	DATE. 23/AUG/2006