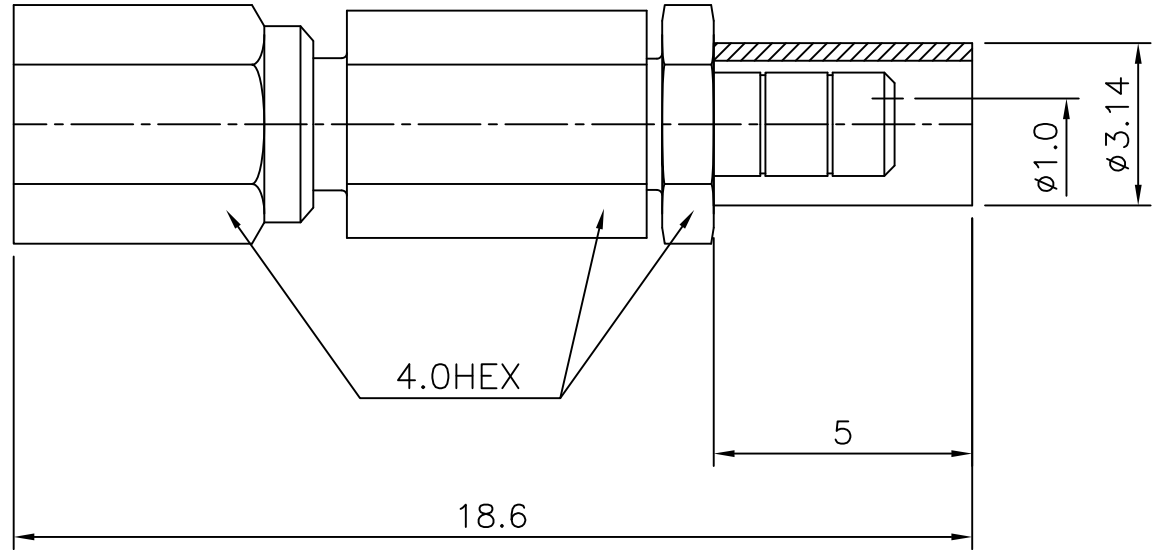


No.	Revision	Date	Name
△	PN Change from 1MC-1111-002	16/OCT/2013	S.J.PARK
△			

RoHS Compliant



SSMC-Straight Female
Cable PLUG-RG178
(Captive contact)

Connector parts	Materials	Finish
Body,Coupling	BRASS	Gold Plated
Nut	BRASS	Gold Plated
Center contact	Beryllium copper	Gold Plated
Insulator	Teflon	
Ferrule	BRASS	Gold Plated

NO.	DESCRIPTION	Q'TY	MATERIAL	FINISH	REMARKS.
PARTS No.	SSMC-110-001	NAME	SSMC-SP178		APPROVED
MATERIAL	FINISH	TOLERANCES OTHERWISE SPEC. ±0.05		ANGLES ±1°	CHECKED
SCALE		UNIT	mm		DESIGNED S.J.LEE
DWG NO.		SSMC-110-001		DATE.	02/MAR/2008

CUSTOMER

