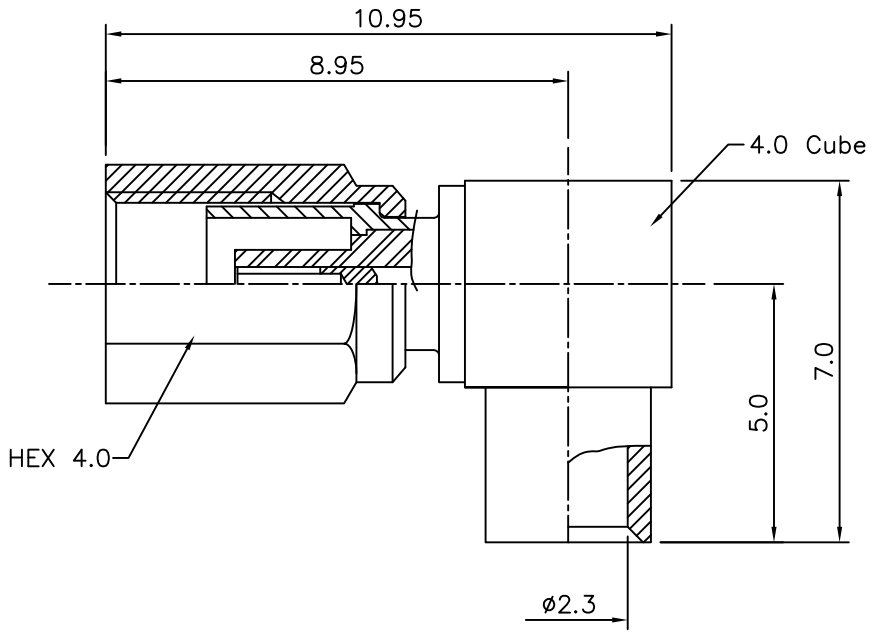


4	No.	Revision	Date	Name
	△	PN Change from 1MC-3101-010	23/JAN/2014	S.J.PARK
	△			

RoHS Compliant



Connector parts	Materials	Finish
Body & Cap	Brass	Gold Plated
Center contact	Be-Cu	Gold Plated
Insulator	PTFE	-

SSMC Right Angle Cable Plug  
for Semi-rigid 085

NO.	DESCRIPTION	Q'TY	MATERIAL	FINISH	REMARKS.
PARTS No.	SSMC-301-001	NAME	SSMC-LP085		APPROVED
MATERIAL	FINISH	TOLERANCES OTHERWISE SPEC. ±0.05		ANGLES ±1°	CHECKED
SCALE		UNIT	mm		DESIGNED S.J.LEE
DWG NO.		SSMC-301-001		DATE.	18/FEB/2010

CUSTOMER

