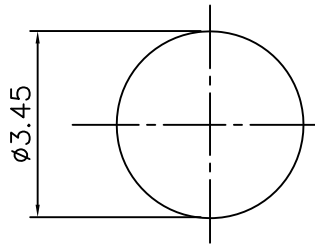
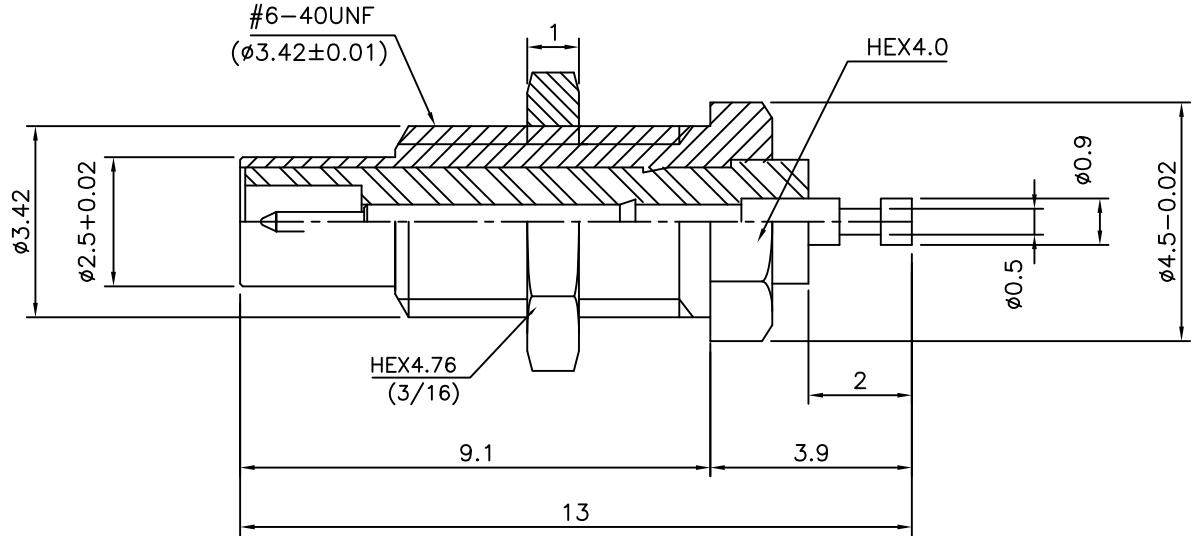


4	5	6	
No.	Revision	Date	Name
▲	PN Change from 1MC-602-R00	04/02/2014	B.G.YUN
▲			



PANEL MOUNT



SSMC Bulkhead JACK
-Receptacle

Connector parts	Materials	Finish
Body & Nut	Brass	Gold Plated
Center contact	Brass	Gold Plated
Insulator	PTFE	N/A

CUSTOMER

NO.	DESCRIPTION	Q'TY	MATERIAL	FINISH	REMARKS.
PARTS No.	SSMC-506-002	NAME	SSMC B/H JACK-RECEP.		APPROVED
MATERIAL	FINISH	TOLERANCES OTHERWISE SPEC. ±0.05		ANGLES ±1°	CHECKED
SCALE		UNIT	mm		DESIGNED S.J.LEE
DWG NO.		SSMC-506-002		DATE.	14/JUN/2007

