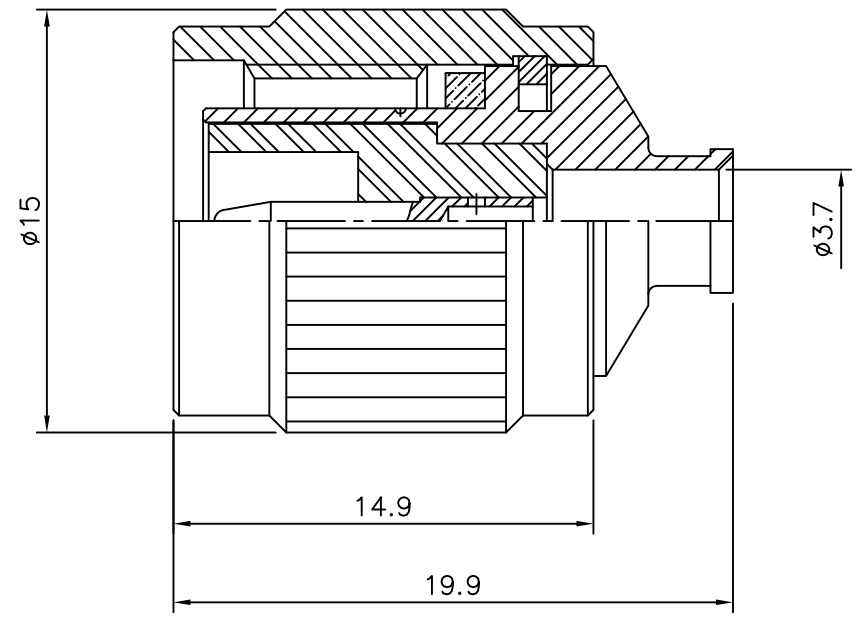


4	No.	Revision	5	Date	6	Name
	▲	PN Change from 1T-102-00		27/JAN/2014		S.J.PARK
	▲					

SPECIFICATIONS

Impedance ; 50 ohm
 Frequency ; DC~11GHz
 Voltage rating ; 500 VRMS
 Temperature range : -55°C to +145°C

RoHS Compliant



Connector parts	Materials	Finish
Coupling Cap	Brass	Nickel Plated
Body	Brass	Nickel Plated
Center contact	Brass	Gold Plated
Gasket	Silicone rubber	-
Insulator	PTFE	-

TNC-Straight-PLUG
for Cable-UT141

NO.	DESCRIPTION	Q'TY	MATERIAL	FINISH	REMARKS.
PARTS No.	TNC-102-001		NAME	TNC-SP-141	APPROVED
MATERIAL	FINISH	TOLERANCES OTHERWISE SPEC. ±0.05		ANGLES ±1°	CHECKED
SCALE		UNIT	mm		DESIGNED S.J.LEE
DWG NO.		TNC-102-001		DATE. 2001.05/07	

CUSTOMER

