

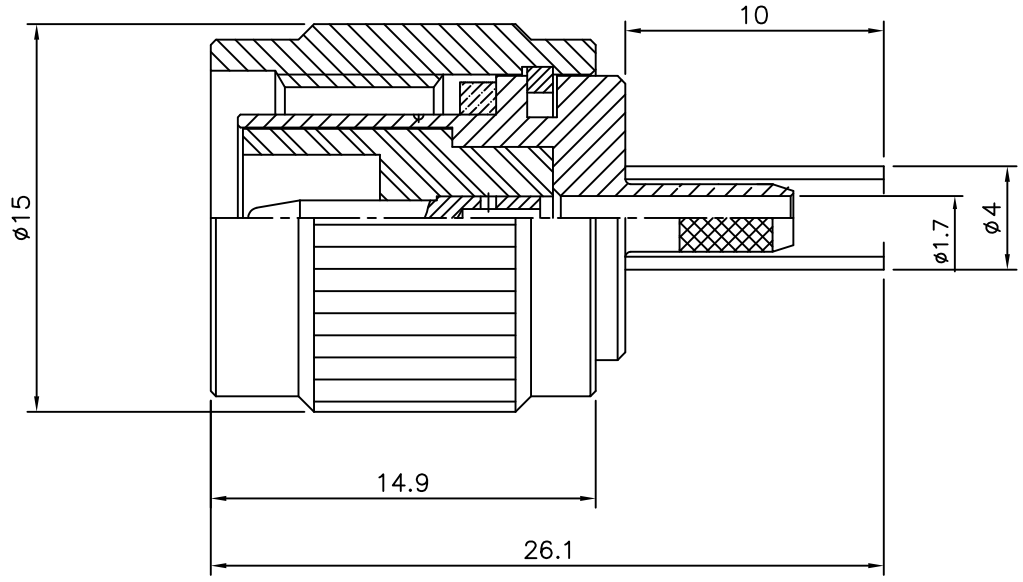
1 2 3 4 5 6

| No. | Revision | Date | Name |
|-----|--------------------------|------------|---------|
| △ | PN Change from 1T-111-00 | 08/01/2014 | B.G.YUN |
| △ | | | |

SPECIFICATIONS

1. Impedance : 50Ω
2. Frequency range : DC~4.0GHz
3. Contact current : DC 3.5A max.
4. Voltage rating : 250Vrms
5. Contact resistance : Center contacts : 2.0mΩ
Outer contacts : 0.2mΩ
6. Insulation resistance : 5,000MΩmin.
7. Temperature Range : -65°C ~ +165°C
8. V.S.W.R : ≤1.25

RoHS Compliant



TNC-Straight-PLUG
for Cable:RG316

| Connector parts | Materials | Finish |
|-----------------|----------------|---------------|
| Coupling Cap | Brass | Nickel Plated |
| Body | Brass | Nickel Plated |
| Center contact | Brass | Gold Plated |
| Ferrule | Brass | Nickel Plated |
| Insulator | PTFE | - |
| Gasket | Silicon rubber | - |

| NO. | DESCRIPTION | Q'TY | MATERIAL | FINISH | REMARKS. |
|-----------|-------------|-------------------------------------|----------|--------------------|---------------------|
| PARTS No. | TNC-111-001 | | NAME | TNC-ST-P316 | APPROVED |
| MATERIAL | FINISH | TOLERANCES OTHERWISE SPEC. ±0.05 | | ANGLES ±1° | CHECKED |
| SCALE | | UNIT | mm | | DESIGNED S.J.LEE |
| DWG NO. | | TNC-111-001 | | DATE. 2002/7/13 | |

CUSTOMER

