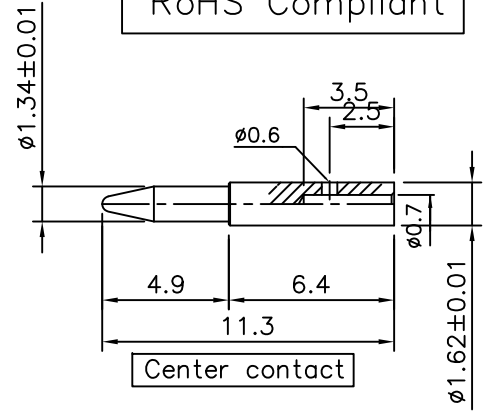


No.	Revision	Date	Name
△			
△			

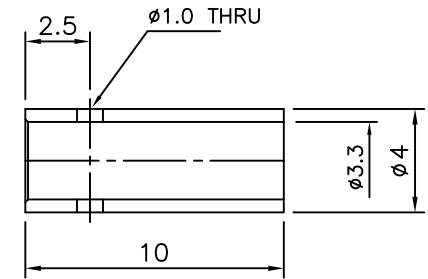
**SPECIFICATIONS**

1. Impedance : 50Ω
2. Frequency range : DC~4.0GHz
3. Contact current : DC 3.5A max.
4. Voltage rating : 250Vrms
5. Contact resistance : Center contacts : 2.0mΩ  
Outer contacts : 0.2mΩ
6. Insulation resistance : 5,000MΩmin.
7. Temperature Range : -65°C ~ +165°C
8. V.S.W.R : ≤=1.25

RoHS Compliant

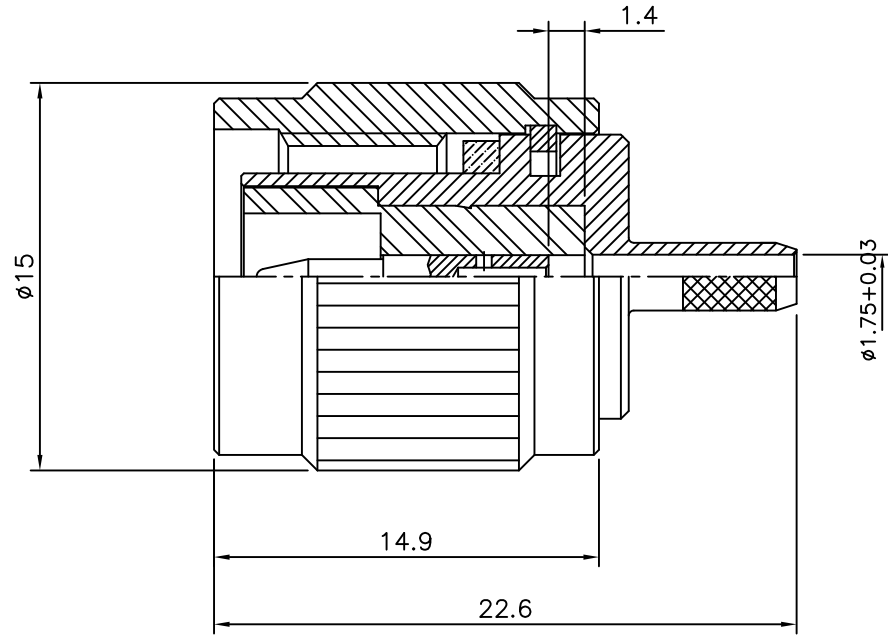


Center contact



FERRULE

TNC-Straight-PLUG  
for Cable:RG316D



Connector parts	Materials	Finish
Coupling Cap	Brass	Nickel Plated
Body	Brass	Nickel Plated
Center contact	Brass	Gold Plated
Ferrule	Brass	Nickel Plated
Insulator	PTFE	-
Gasket	Silicon rubber	-

NO.	DESCRIPTION	Q'TY	MATERIAL	FINISH	REMARKS.
PARTS No.	TNC-111-005	NAME	TNC-ST-P316D		APPROVED
MATERIAL	FINISH	TOLERANCES	OTHERWISE SPEC. ±0.05 ANGLES ±1°		CHECKED
		SCALE	UNIT		DESIGNED
			mm		S.J.LEE
		DWG NO.	TNC-111-005		DATE.
					05/JUL/2012

CUSTOMER

