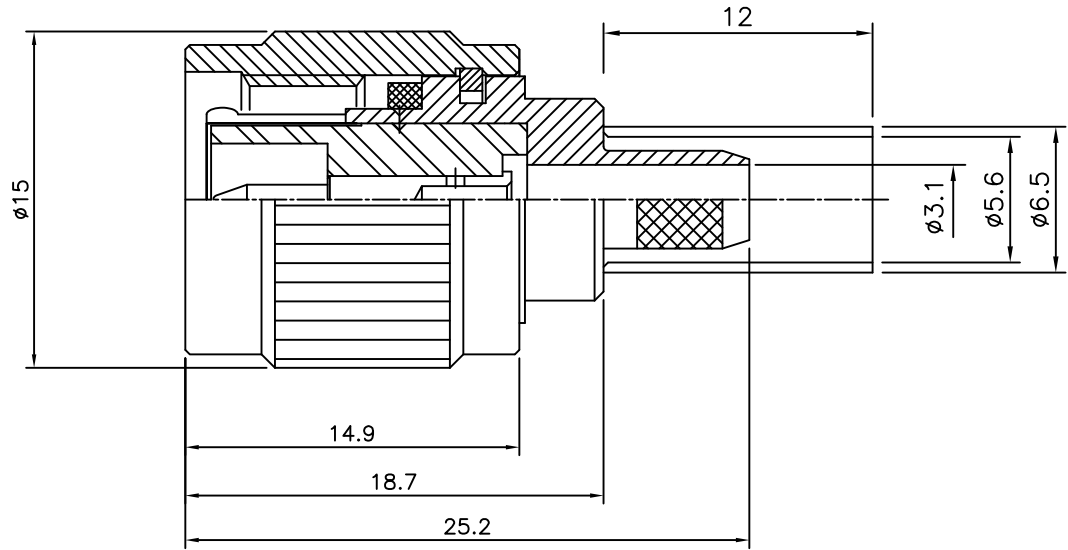


No.	Revision	Date	Name
▲	PN Change from 1T-112-00	22/07/2013	B.G.YUN
▲			

SPECIFICATIONS

1. Impedance : 50Ω
2. Frequency range : DC~11GHz
3. Contact current : DC 3.5A max.
4. Voltage rating : 250Vrms
5. Contact resistance : Center contacts : 2.0mΩ
Outer contacts : 0.2mΩ
6. Insulation resistance : 5,000MΩmin.
7. Temperature Range : -65°C ~ +165°C
8. V.S.W.R : ≤1.25

RoHS Compliant



TNC Straight PLUG
For CABLE RG400,142

Connector parts	Materials	Finish
Coupling Cap	Brass	Nickel Plated
Body	Brass	Nickel Plated
Center contact	Brass	Gold Plated
Insulator	TEFLON	-
Ferrule	Brass	Nickel Plated
Gasket	Silicone rubber	-

NO.	DESCRIPTION	Q'TY	MATERIAL	FINISH	REMARKS.
PARTS No.	TNC-112-001		NAME	TNC-SP-RG400	APPROVED
MATERIAL	FINISH	TOLERANCES OTHERWISE SPEC. ±0.05		ANGLES ±1°	CHECKED
SCALE		UNIT	mm		DESIGNED S.J.LEE
DWG NO.		TNC-112-001		DATE. 25/MAY/2006	

CUSTOMER

