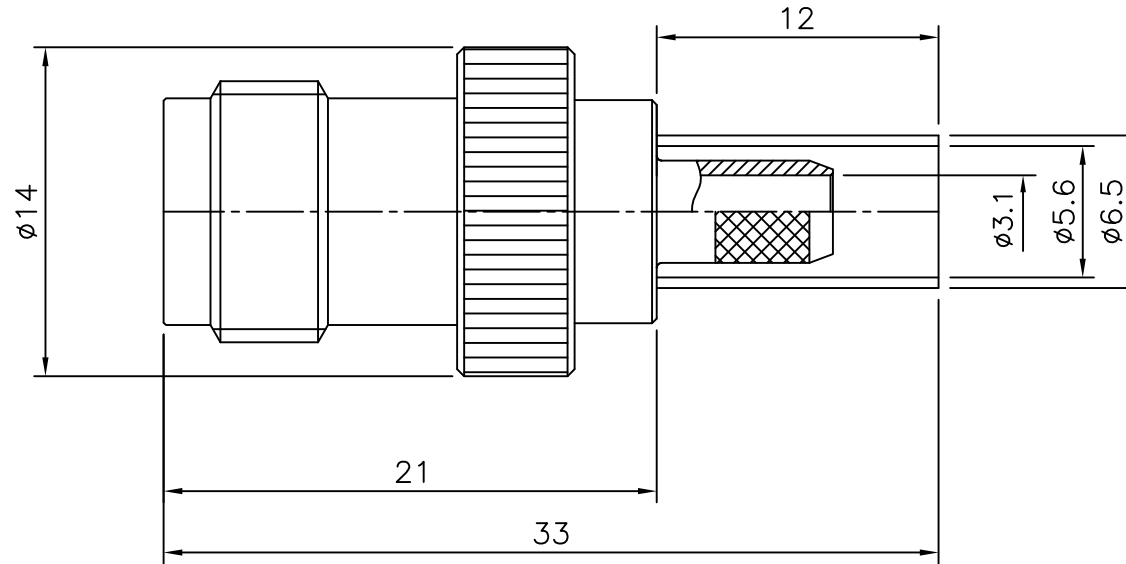


1 2 3 4 5 6

No.	Revision	Date	Name
△	PN Change from 1T-212-00	13/MAR/2014	S.J.PARK
△			

SPECIFICATIONS;
 Impedance : 50 Ohms
 Frequency Range : DC~11 GHz
 VSWR: 1.3:1@ 2GHz 2.0@11GHz
 Insertion loss : 0.07x √F(GHz)
 Voltage rating : 335 VRMS
 Insulation Resistance : 5000 meghms
 Temperature Range : -55~155°C



TNC-Straight JACK
for Cable-RG400

Connector parts	Materials	Finish
Body	Brass	Nickel Plated
Center contact	Be-Cu	Gold Plated
Ferrule	Brass	Nickel Plated
Insulator	PTFE	-

NO.	DESCRIPTION	Q'TY	MATERIAL	FINISH	REMARKS.
PARTS No.	TNC-212-001	NAME	TNC-SJ 400		APPROVED
MATERIAL	FINISH	TOLERANCES OTHERWISE SPEC. ±0.05		ANGLES ±1°	CHECKED
SCALE		UNIT	mm		DESIGNED S.J.LEE
DWG NO.		TNC-212-001		DATE. 2002/7/13	

CUSTOMER

