

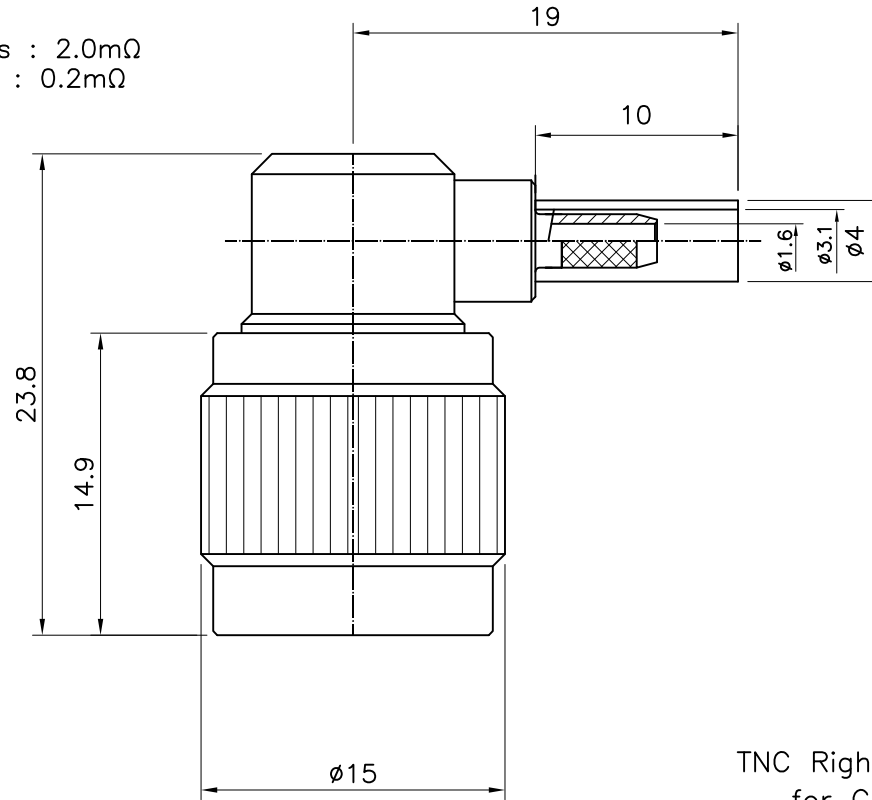
1 2 3 4 5 6

No.	Revision	Date	Name
△			
△			

SPECIFICATIONS

1. Impedance : 50Ω
2. Frequency range : DC~4.0GHz
3. Contact current : DC 3.5A max.
4. Voltage rating : 250Vrms
5. Contact resistance : Center contacts : 2.0mΩ
Outer contacts : 0.2mΩ
6. Insulation resistance : 5,000MΩmin.
7. Temperature Range : -65°C ~ +165°C
8. V.S.W.R : ≤1.25

RoHS Compliant



TNC Right Angle-PLUG
for Cable-RG316

Connector parts	Materials	Finish
Coupling Cap	Brass	Nickel Plated
Body	Brass	Nickel Plated
Center contact	Brass	Gold Plated
Insulator	PTFE	-
Ferrule	Brass	Nickel Plated

CUSTOMER

NO.	DESCRIPTION	Q'TY	MATERIAL	FINISH	REMARKS.
PARTS No.	TNC-311-001	NAME	TNC LP-RG316		APPROVED
MATERIAL	FINISH	TOLERANCES OTHERWISE SPEC. ±0.05		ANGLES ±1°	CHECKED
SCALE	UNIT	mm			DESIGNED S.J.LEE
DONGJIN TI.		DWG NO.	TNC-311-001		DATE. 10/OCT/2013