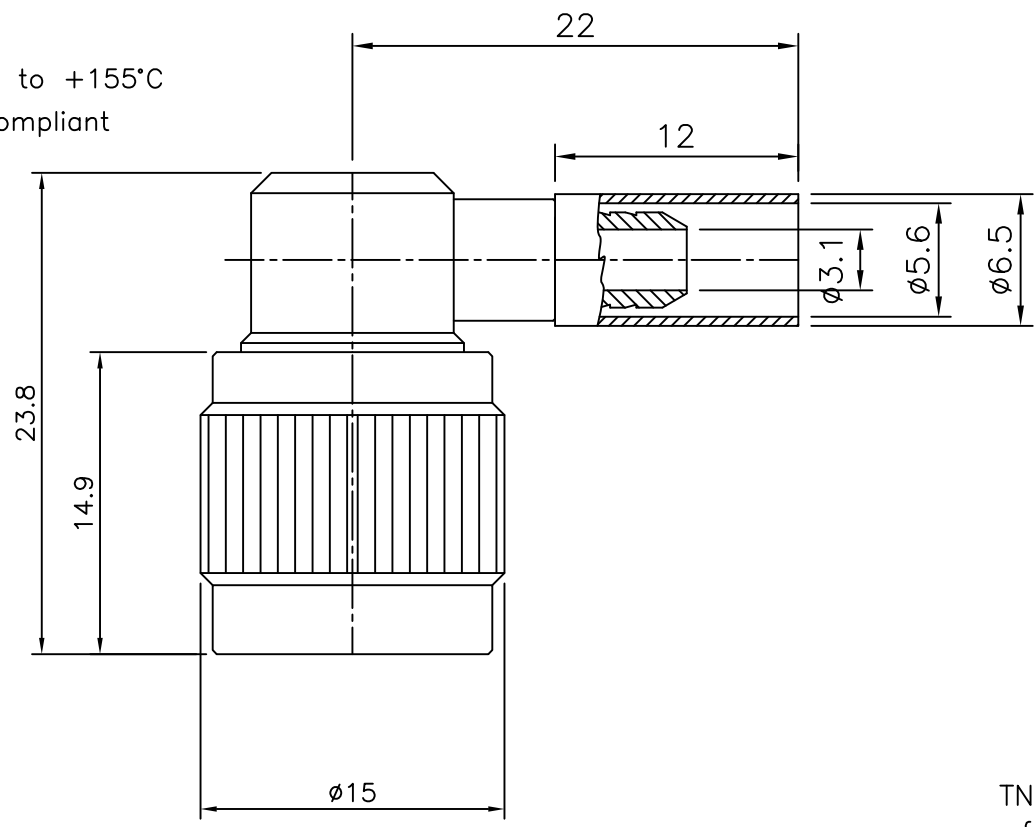


No.	Revision	Date	Name
△	PN Change from 1T-312-00	12/07/2013	B.G.YUN
△			

SPECIFICATIONS

Impedance ; 50ohm
 Frequency ; DC~4GHz
 Voltage rating ; 500 VRMS
 Temperature range : -55°C to +155°C
 2002/95/EC (RoHS) : Compliant

RoHS Compliant



TNC Right Angle-PLUG
for Cable-RG142,400

Connector parts	Materials	Finish
Coupling Cap	Brass	Nickel Plated
Body	Brass	Nickel Plated
Center contact	Brass	Gold Plated
Insulator	PTFE	-
Ferrule	Brass	Nickel Plated

CUSTOMER

NO.	DESCRIPTION	Q'TY	MATERIAL	FINISH	REMARKS.
PARTS No.	TNC-312-001	NAME	TNC LP-RG400		APPROVED
MATERIAL	FINISH	TOLERANCES OTHERWISE SPEC. ±0.05		ANGLES ±1°	CHECKED
SCALE		UNIT	mm		DESIGNED S.J.LEE
DWG NO.		TNC-312-001		DATE.	25/FEB/2005

