

No.	Revision	Date	Name
△	PN Change from 1T-402-00	27/08/2013	B.G.YUN
△			

RoHS Compliant

ELECTRICAL DATA

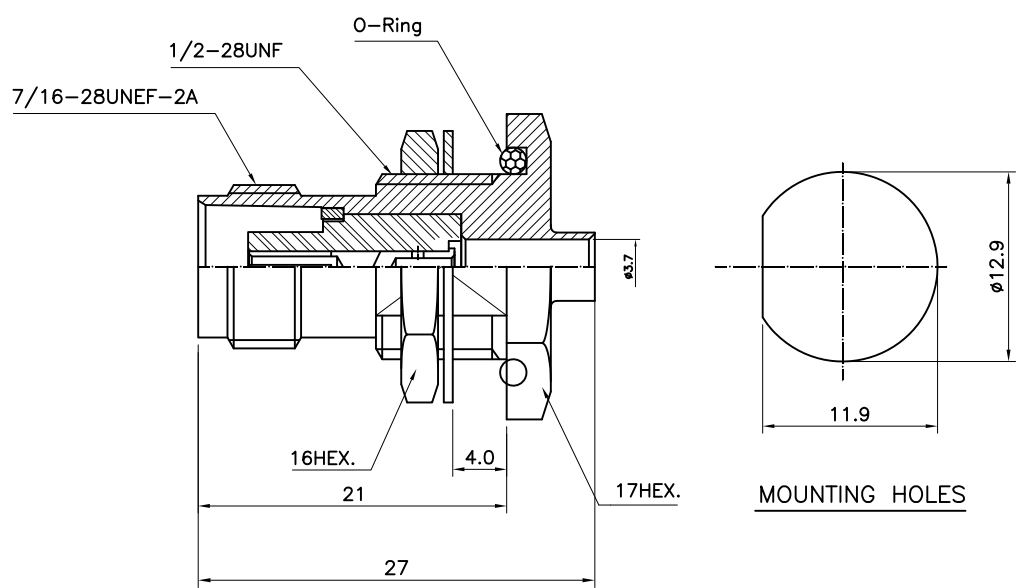
Impedance 50Ω
 Frequency range DC11GHz
 Contact current DC3.5A max
 Voltage rating 250V rms
 Contact resistance Center contacts: 2.0mΩ
 Outer contacts: 0.2mΩ
 Insulation resistance 5000MΩmin.
 Insertion loss 0.18dB max.at 9GHz
 V.S.W.R ≤1.5

MECHANICAL DATA

Coupling nut torque 20Ncm-170Ncm
 Life 500matings.
 Contact captivation ≥27N
 Proof torque Not applicable

ENVIRONMENTAL

Temperature range -65°C~+125°C
 Corrosion resistance MIL-STD-202,Method 101,Condition B.
 Moisture resistance MIL-STD-202,Method 106
 Thermal shock MIL-STD-202,Method 107,Condition B.
 Vibration MIL-STD-202,Method 204,Condition B.
 Shock MIL-STD-202,Method 213,Condition G.



TNC-Bulkhead Rear Mount JACK
 w/h Panel SEAL
 for Cable-UT141

Item	Materials	Plating
Body	Brass	Nickel Plated
Center contact	Be-Cu	Gold Plated
Nut	Brass	Nickel Plated
Insulator	PTFE	-

CUSTOMER

NO.	DESCRIPTION	Q'TY	MATERIAL	FINISH	REMARKS.
PARTS No.	TNC-402-001		NAME	TNC-BH JACK141	APPROVED
MATERIAL	FINISH	TOLERANCES			CHECKED
		OTHERWISE SPEC. ±0.05		ANGLES ±1°	
		SCALE	UNIT		DESIGNED
			mm		S.J.LEE
		DWG NO.	TNC-402-001		DATE.
					25/APR/2010

