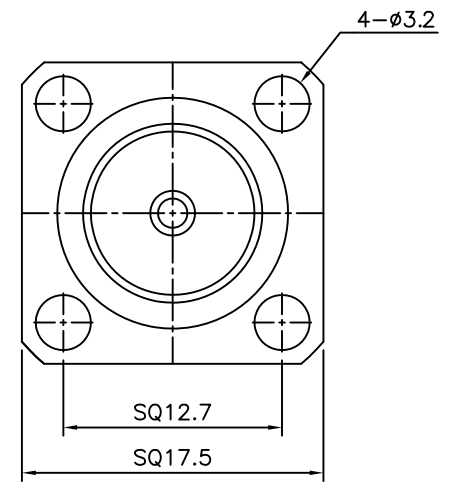
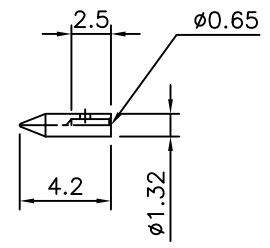
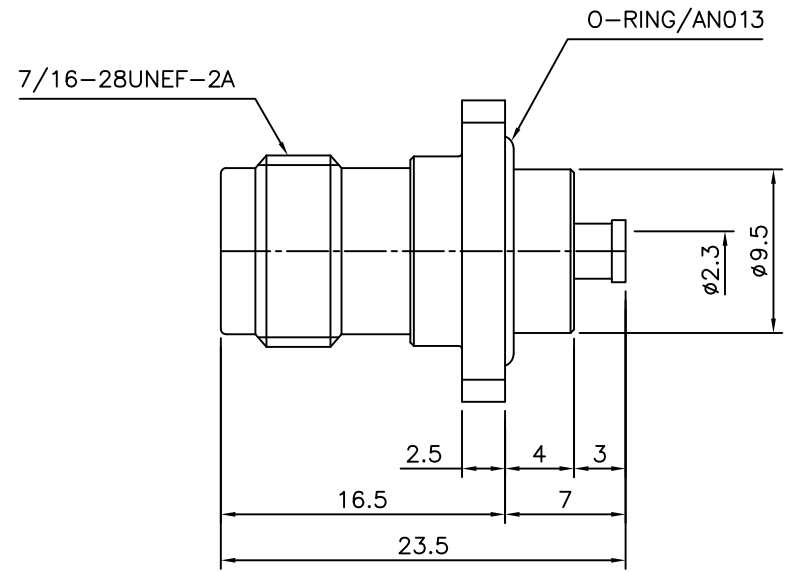


4	5	6	
No.	Revision	Date	Name
1	PN Change from 1T-405-03	13/MAR/2014	S.J.PARK
2			

RoHS Compliant



TNC-PANEL JACK-4HOLES
w/h Panel seal
for Cable-UT085

Item	Materials	Plating
Body	Brass	Nickel Plated
Center contact	Be-Cu	Gold Plated
Cable Insert Pin	Brass	Gold Plated
O-Ring	Silicone rubber	-
Insulator	PTFE	-

CUSTOMER

NO.	DESCRIPTION	Q'TY	MATERIAL	FINISH	REMARKS.
PARTS No.	TNC-405-001	NAME	TNC-4HS-J085		APPROVED
MATERIAL	FINISH	TOLERANCES OTHERWISE SPEC. ± 0.05		ANGLES $\pm 1^\circ$	CHECKED
		SCALE	UNIT mm		DESIGNED S.J.LEE
		DWG NO.	TNC-405-001		DATE. 21/FEB/2007