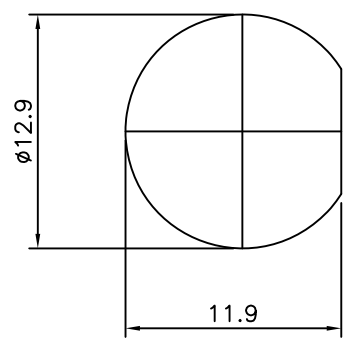
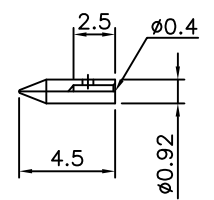
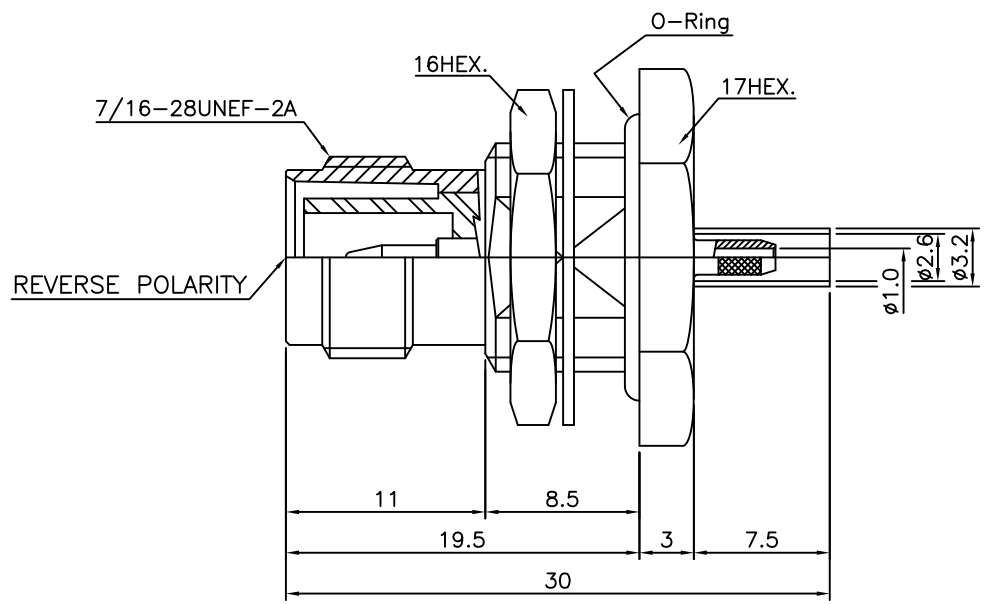


4	5	6
No.	Revision	Date
▲	PN Change from 1T-410RP-195	14/MAR/2014
▲		



MOUNTING HOLES



INSERT PIN

TNC-Bulkhead Rear Mount JACK  
w/h Panel seal  
for Cable-RG178  
(REVERSE POLARITY)

Item	Materials	Plating
Body,Nut,Washer	Brass	Nickel Plated
Center contact	Be-Cu	Gold Plated
Ferrule	Brass	Nickel Plated
Insulator	PTFE	-
O-Ring	Silicone rubber	-

CUSTOMER

NO.	DESCRIPTION	Q'TY	MATERIAL	FINISH	REMARKS.
PARTS No.	TNC-410-004	NAME	TNC-BH-J178/R.P		APPROVED
MATERIAL	FINISH	TOLERANCES OTHERWISE SPEC. ±0.05		ANGLES ±1°	CHECKED
SCALE		UNIT	mm		DESIGNED S.J.LEE
DWG NO.		TNC-410-004		DATE.	19/APR/2007

