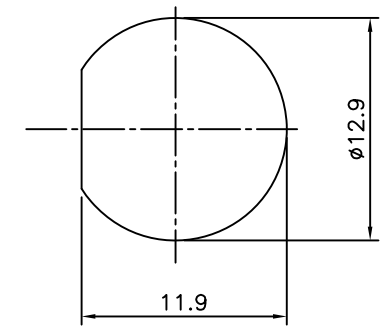
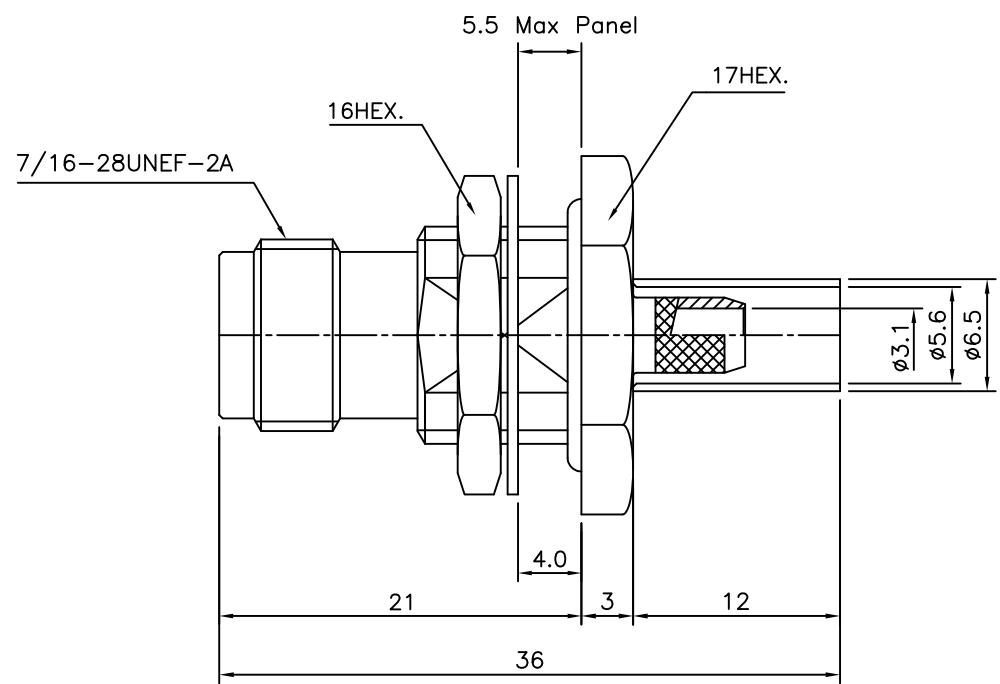


4	5	6	
No.	Revision	Date	Name
1	PN Change from 1T-412-00	13/MAR/2014	S.J.PARK
2			

RoHS Compliant



MOUNTING HOLES

Item	Materials	Plating
Body	Brass	Nickel Plated
Center contact	Be-Cu	Gold Plated
Ferrule	Brass	Nickel Plated
Insulator	PTFE	-
O-Ring	Silicone rubber	-

TNC-Bulkhead Rear Mount JACK
with Panel SEAL (IP67)
for Cable-RG400,142

NO.	DESCRIPTION	Q'TY	MATERIAL	FINISH	REMARKS.
PARTS No.	TNC-412-001		NAME	TNC-BR/J-400	APPROVED
MATERIAL	FINISH	TOLERANCES OTHERWISE SPEC. ± 0.05 ANGLES $\pm 1^\circ$		CHECKED	
SCALE		UNIT	DESIGNED		S.J.LEE
		mm	DWG NO.		TNC-412-001
		DATE.		12/MAY/2007	

CUSTOMER

