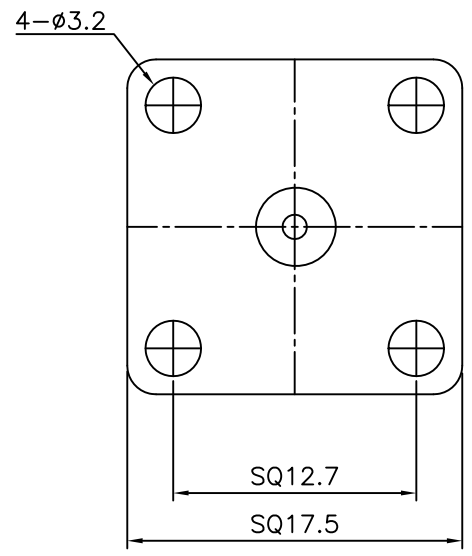
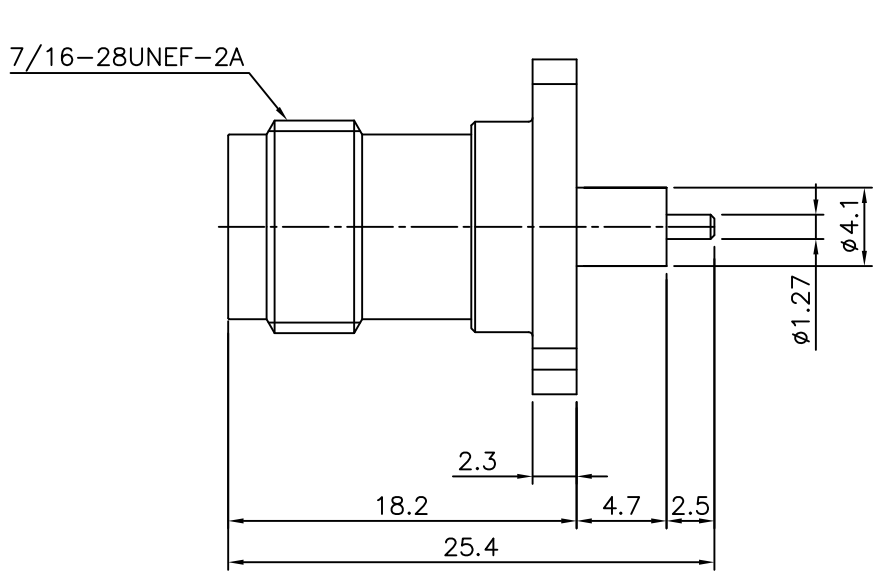


4	5	6	
No.	Revision	Date	Name
△	PN Change from 1T-513-4725	13/MAR/2014	S.J.PARK
△			

RoHS Compliant



TNC Panel Receptacle
JACK-4H(SQ17.5)

Connector parts	Materials	Finish
Body	Brass	Nickel Plated
Center contact	Beryllium copper	Gold Plated
Insulator	Teflon	-

CUSTOMER

NO.	DESCRIPTION	Q'TY	MATERIAL	FINISH	REMARKS.
PARTS No.	TNC-504-002	NAME	TNC-F4H Receptacle		APPROVED
MATERIAL	FINISH	TOLERANCES OTHERWISE SPEC. ±0.05		ANGLES ±1°	CHECKED
		SCALE	UNIT mm		DESIGNED S.J.LEE
		DWG NO.	TNC-504-002		DATE. 12/MAY/2007