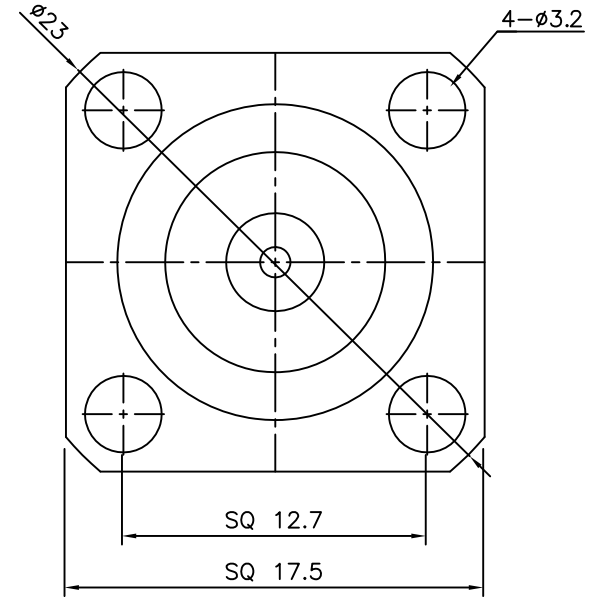
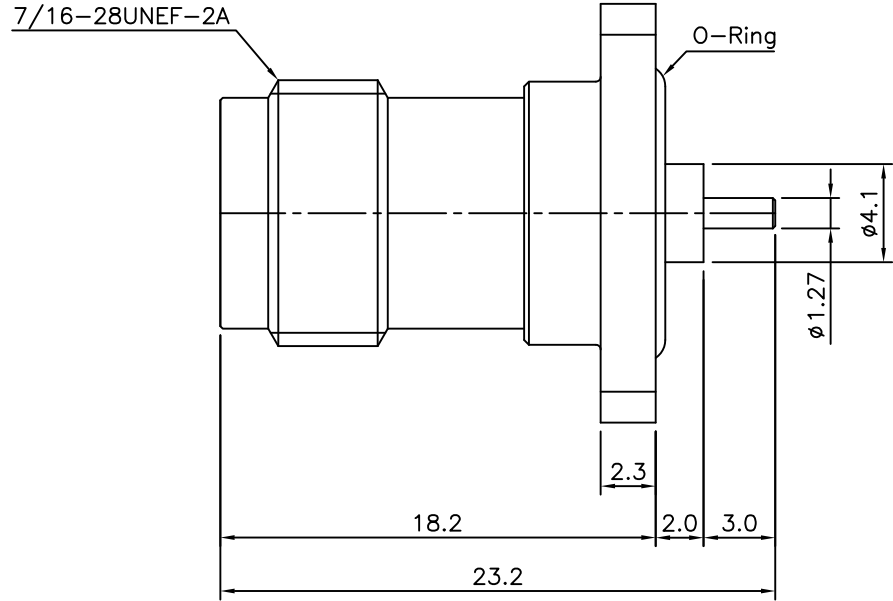


4	5	6
No.	Revision	Date
△		
△		

RoHS Compliant



TNC Panel Receptacle JACK-4H  
with SEAL(REVERSE POLARITY)

Item	Materials	Plating
Body	Brass	Nickel Plated
Center contact	Brass	Gold Plated
Insulator	PTFE	-
O-Ring	Silicone rubber	

**CUSTOMER**

NO.	DESCRIPTION	Q'TY	MATERIAL	FINISH	REMARKS.
PARTS No.	TNC-504-008	NAME	RP-TNC-F4H Recep.		APPROVED
MATERIAL	FINISH	TOLERANCES OTHERWISE SPEC. ±0.05		ANGLES ±1°	CHECKED
		SCALE	UNIT mm		DESIGNED S.J.LEE
		DWG NO.	TNC-504-008		DATE. 28/MAR/2007



DONGJIN TI.