

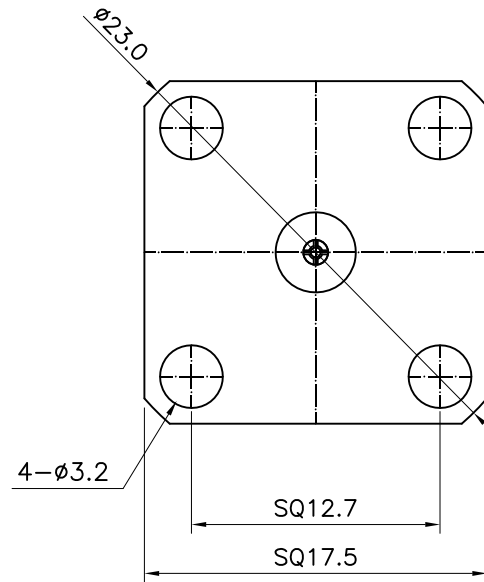
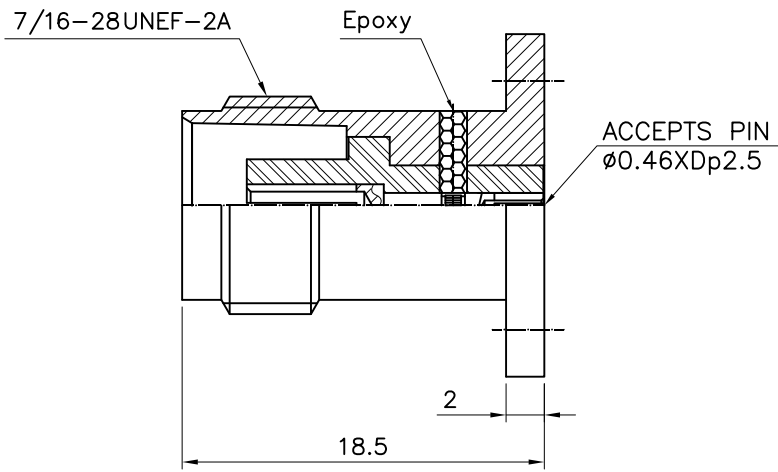
1 2 3 4 5 6

No.	Revision	Date	Name
△	PN Change from 1T-512-00046E	13/08/2013	B.G.YUN
△			

SPECIFICATIONS;

Impedance : 50 Ohms
 Frequency Range : DC~11 GHz
 VSWR : 1.25:1 Max
 Insulation Resistance : 5000 meghms
 Temperature Range : -65°~165°C

RoHS Compliant



TNC Panel(17.5)4H JACK Receptacle

Connector parts	Materials	Finish
Body	Brass	Nickel Plated
Center contact	Beryllium copper	Gold Plated
Insulator	Teflon	-

CUSTOMER

NO.	DESCRIPTION	Q'TY	MATERIAL	FINISH	REMARKS.
PARTS No.	TNC-504-022		NAME	TNC-J-4H(17.5) Recep.	APPROVED K.Y.SON
MATERIAL	FINISH	TOLERANCES OTHERWISE SPEC. ±0.05		ANGLES ±1°	CHECKED
		SCALE	UNIT mm		DESIGNED M.K.KIM
		DWG NO.		TNC-504-022	DATE. 29/APR/2013

