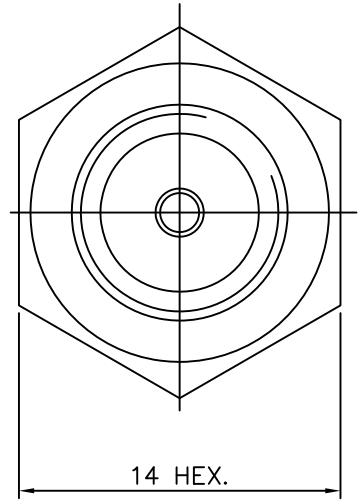
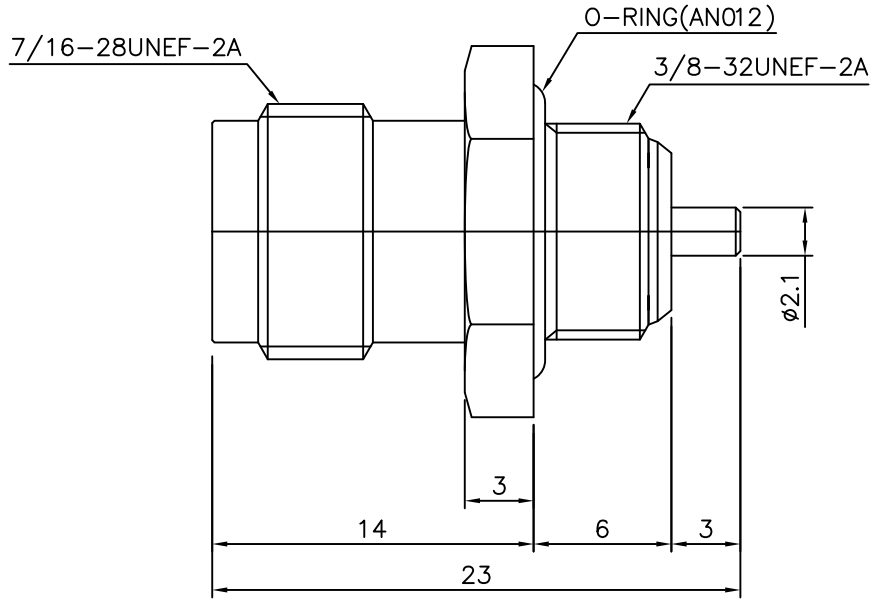


4	5	6	
No.	Revision	Date	Name
△	PN Change from 1T-602-6030S	13/MAR/2014	S.J.PARK
△			



Item	Materials	Plating
Body	Brass	Nickel Plated
Center contact	Be-Cu	Gold Plated
Insulator	PTFE	-
O-Ring	Silicone rubber	-

TNC-Bulkhead-JACK  
Receptacle w/h Seal

**CUSTOMER**

NO.	DESCRIPTION	Q'TY	MATERIAL	FINISH	REMARKS.
PARTS No.	TNC-506-002	NAME	TNC-BR-Recep.		APPROVED
MATERIAL	FINISH	TOLERANCES OTHERWISE SPEC. ±0.05		ANGLES ±1°	CHECKED
		SCALE	UNIT mm		DESIGNED S.J.LEE
		DWG NO.	TNC-506-002		DATE. 2004/2/16

