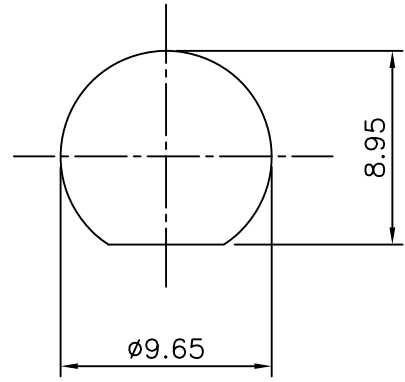
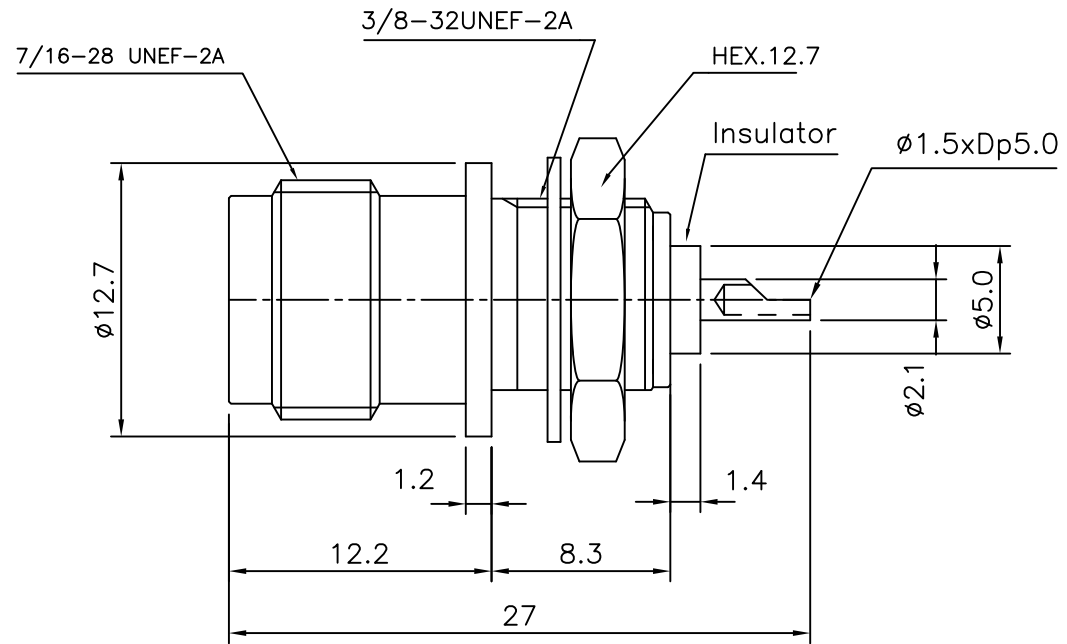


4	5	6	
No.	Revision	Date	Name
△	PN Change from 1T-602-M7108	28/10/2013	B.G.YUN
△			

RoHS Compliant



MOUNTING HOLES

NOTES:

- INTERFACE PER MIL-STD-348 FIG. 313
- MATERIALS
INSULATOR: TEFLON
CENTER CONTACT: BERYLLIUM COPPER
ALL OTHER METAL PARTS: BRASS
- FINISHES
CENTER CONTACT: HARD GOLD PLATE PER MIL-G-45204
ALL OTHER METAL PARTS: SILVER PLATED, PER QQ-S-365
- ELECTRICAL CHARACTERISTICS
NOMINAL IMPEDANCE: 50 OHm
FREQUENCY RANGE: DC TO 11GHz
WORKING VOLTAGE: 500 VOLTS RMS

TNC Bulkhead JACK
Receptacle for Solder port

CUSTOMER

NO.	DESCRIPTION	Q'TY	MATERIAL	FINISH	REMARKS.
PARTS No.	TNC-506-004		NAME	TNC-B/H JACK RECEP.	APPROVED
MATERIAL	FINISH	TOLERANCES OTHERWISE SPEC. ±0.05		ANGLES ±1°	CHECKED
SCALE N/S		UNIT mm	DESIGNED S.J.LEE		
DWG NO.		TNC-506-004		DATE. 03/APR/2008	

