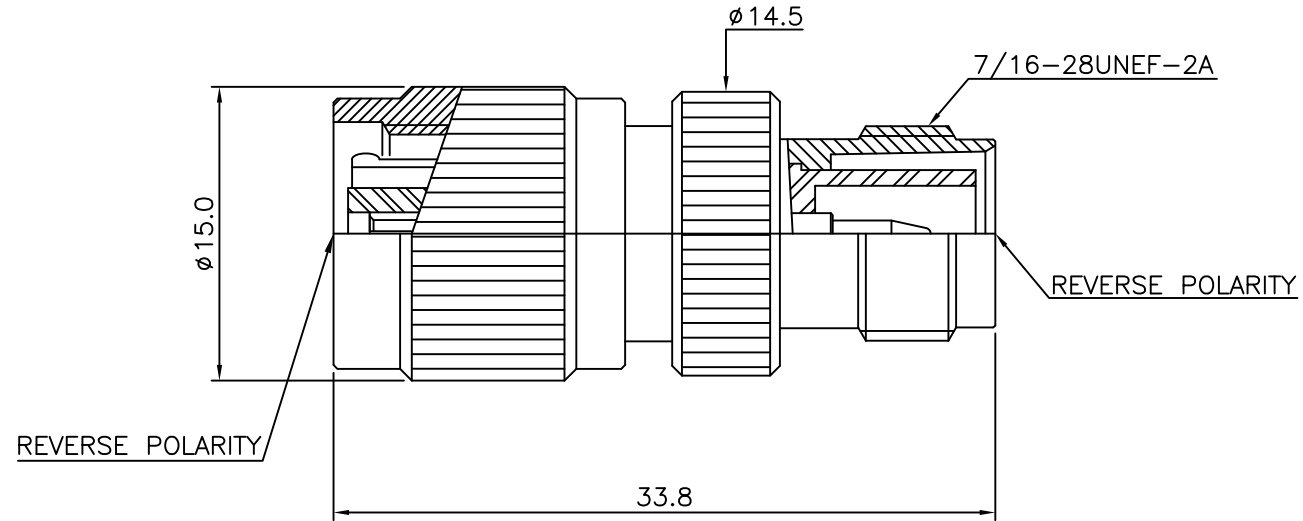


4	5	6	
No.	Revision	Date	Name
△	PN Change from 1T-803RP-02	14/MAR/2014	S.J.PARK
△			

RoHS Compliant



TNC-PLUG to JACK
BOSE REVERSE POLARITY Adaptor

Item	Materials	Plating
Body	Brass	Nickel Plated
Center contact	Be-Cu	Gold Plated
Insulator	PTFE	-

CUSTOMER

NO.	DESCRIPTION	Q'TY	MATERIAL	FINISH	REMARKS.
PARTS No.	TNC-802-002	NAME	TNC/PJ R.P-Adap.		APPROVED
MATERIAL	FINISH	TOLERANCES OTHERWISE SPEC. ±0.05		ANGLES ±1°	CHECKED
SCALE		UNIT	mm		DESIGNED S.J.LEE
DWG NO.		TNC-802-002		DATE. 25/APR/2007	

