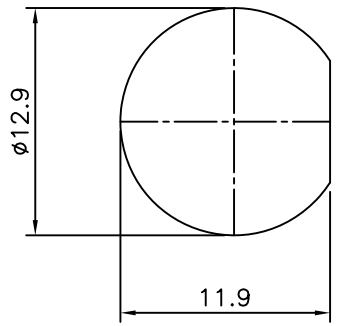
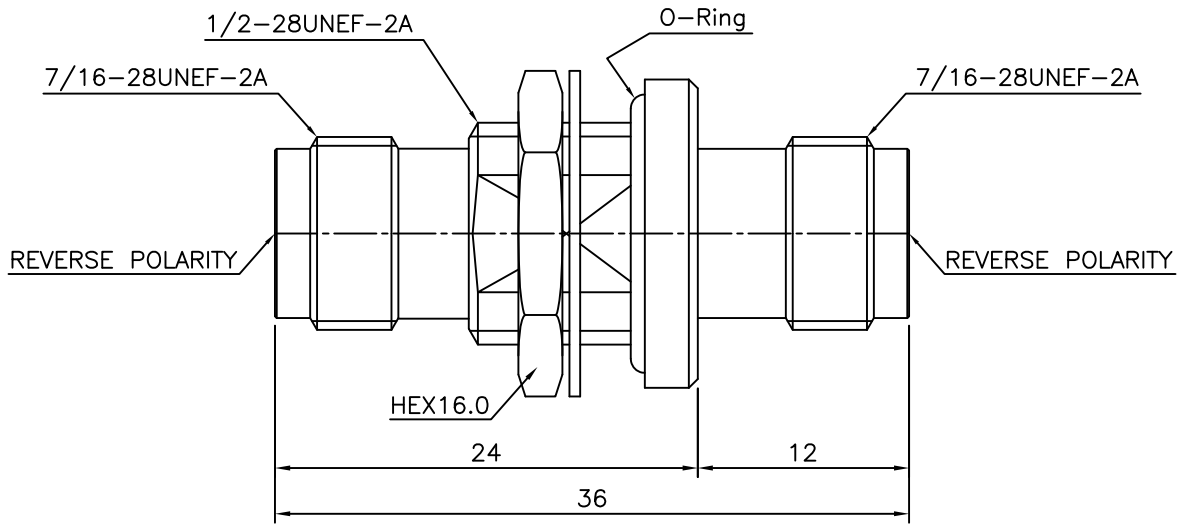


4	No.	Revision	5	Date	6
	▲	PN Change from 1T-804RP-36		14/MAR/2014	S.J.PARK
	▲				



MOUNTING HOLES



TNC-Bulkhead JACK to JACK
BOSE REVERSE POLARITY Adaptor

Item	Materials	Plating
Body,Nut,Washer	Brass	Nickel Plated
Center contact	Be-Cu	Gold Plated
Insulator	PTFE	-

CUSTOMER

NO.	DESCRIPTION	Q'TY	MATERIAL	FINISH	REMARKS.
PARTS No.	TNC-804-004		NAME	TNC-B/H-JJ/R.P Adap.	APPROVED
MATERIAL	FINISH	TOLERANCES		OTHERWISE SPEC. ±0.05	ANGLES ±1°
DWG NO.		SCALE	UNIT	mm	DESIGNED S.J.LEE
DONGJIN TI.		DWG NO.		TNC-804-004	DATE. 15/DEC/2008